

**1.2m AND 1.4m SILAGE GRAB
OPERATORS HANDBOOK
AND
SPARE PARTS LIST
Wi32M072000**

GUARANTEE

Subject as hereunder provided, the Sellers undertake to correct either by repair or at their election by replacement any defect of material or workmanship which occurs in any of its goods within twelve months after delivery of such goods to first user, with the exception of contractors or commercial users when warranty period is six months.

In respect of Autowraps the warranty period is for 12 months or 8000 bales, whichever occurs first. In respect of Aerways, time breakage will be assessed on an individual basis in every case.

The term goods when used in this document means the article or articles described in Invoice as sold by the Sellers but does not include equipment or proprietary parts or accessories not manufactured by the Sellers. The Sellers, however, undertake to pass on so far as they legally can to the first user the benefit of any warranty given to the Sellers by the suppliers of such equipment, parts or accessories. This understanding shall not apply to:-

- (a) Any goods which have been sold by the first user.
- (b) Any goods which have been injured by unfair wear and tear, neglect or improper use.
- (c) Any goods the identification marks of which have been altered or removed.
- (d) Any goods which have not received the basic normal maintenance such as tightening of bolts, nuts, lines, hose connections and fittings and normal lubrication with the recommended lubricant.
- (e) The use of any product on tractors exceeding the recommended horsepower.
- (f) Any goods which have been altered or repaired other than on instruction or with the written approval of the Seller or to which any part not manufactured or having written approval by the Sellers have been fixed.
- (g) Any second-hand goods or part thereof.

Any allegedly defective part or parts returned to the Sellers must be sent carriage paid. No claim for repair or replacement will be entertained unless upon discovery of the alleged defect written notification is sent to the Sellers giving, at the same time, the name of the Buyer from whom the goods were purchased and the date of purchase, together with full details of the alleged defect and the circumstances involved, also the serial number of the machine etc.

The Sellers shall be under no liability to their Buyers and first or subsequent users of their goods or to any other person or persons for loss or damages howsoever arising in respect of either personal injuries or for arising out of, or in any way connected with or arising from the manufacturers sale, handling, repair, maintenance, replacement or use of its goods or the failure or malfunction of any of its goods.

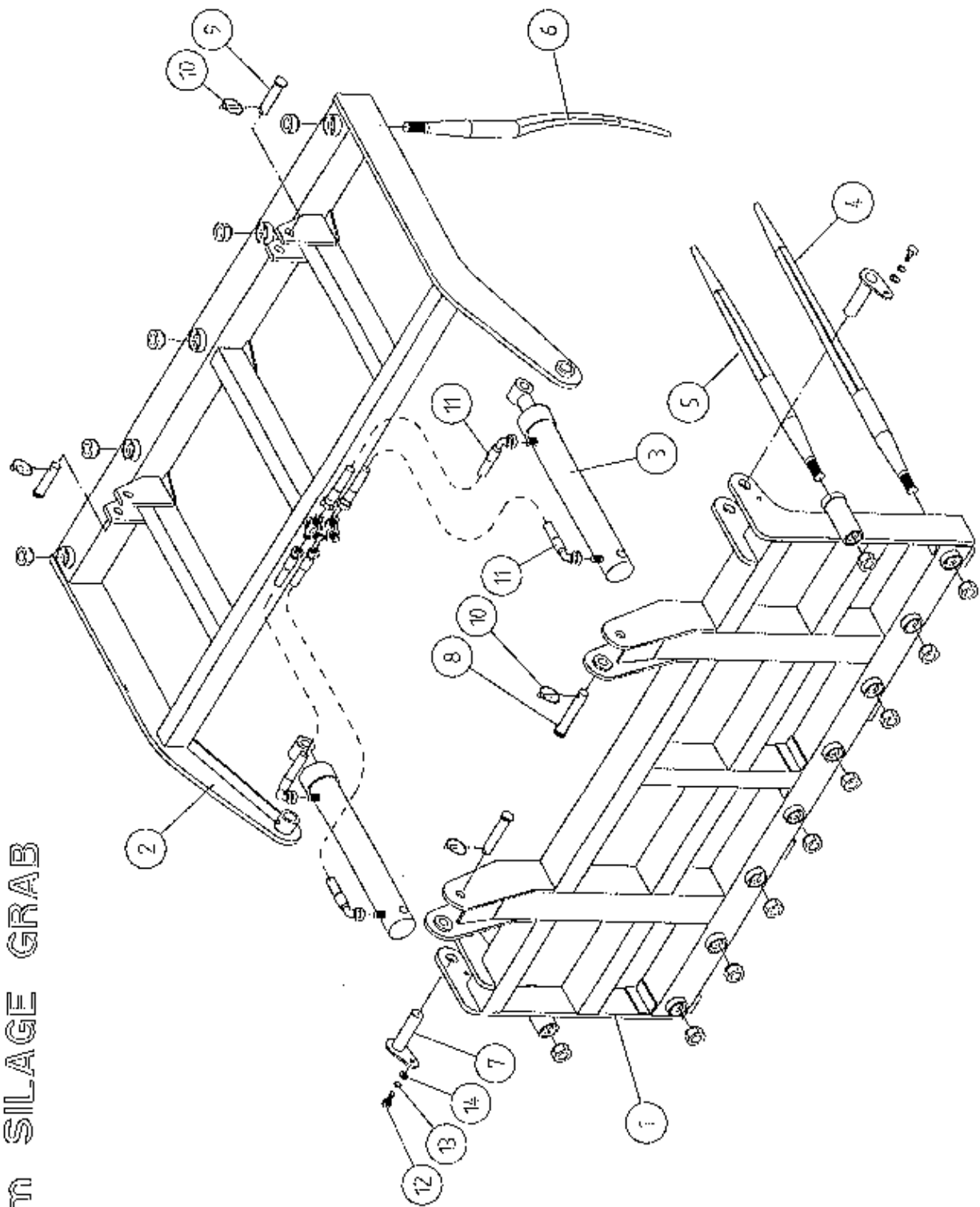
Representation and/or warranties made by any person (including Buyers and employees and other representatives of the Seller) which are inconsistent or conflicting with these conditions are not binding upon the Sellers unless given in writing and signed by a Director of the Sellers.

CLAIMS.

If you wish to make a claim under guarantee:

- 1: Immediately, stop using the machine.
- 2: List the details of the machine, its serial number and the part number of the damaged part.
- 3: Consult with your Tanco dealer (supplier) and have him forward your claim and the damaged item to Tanco.

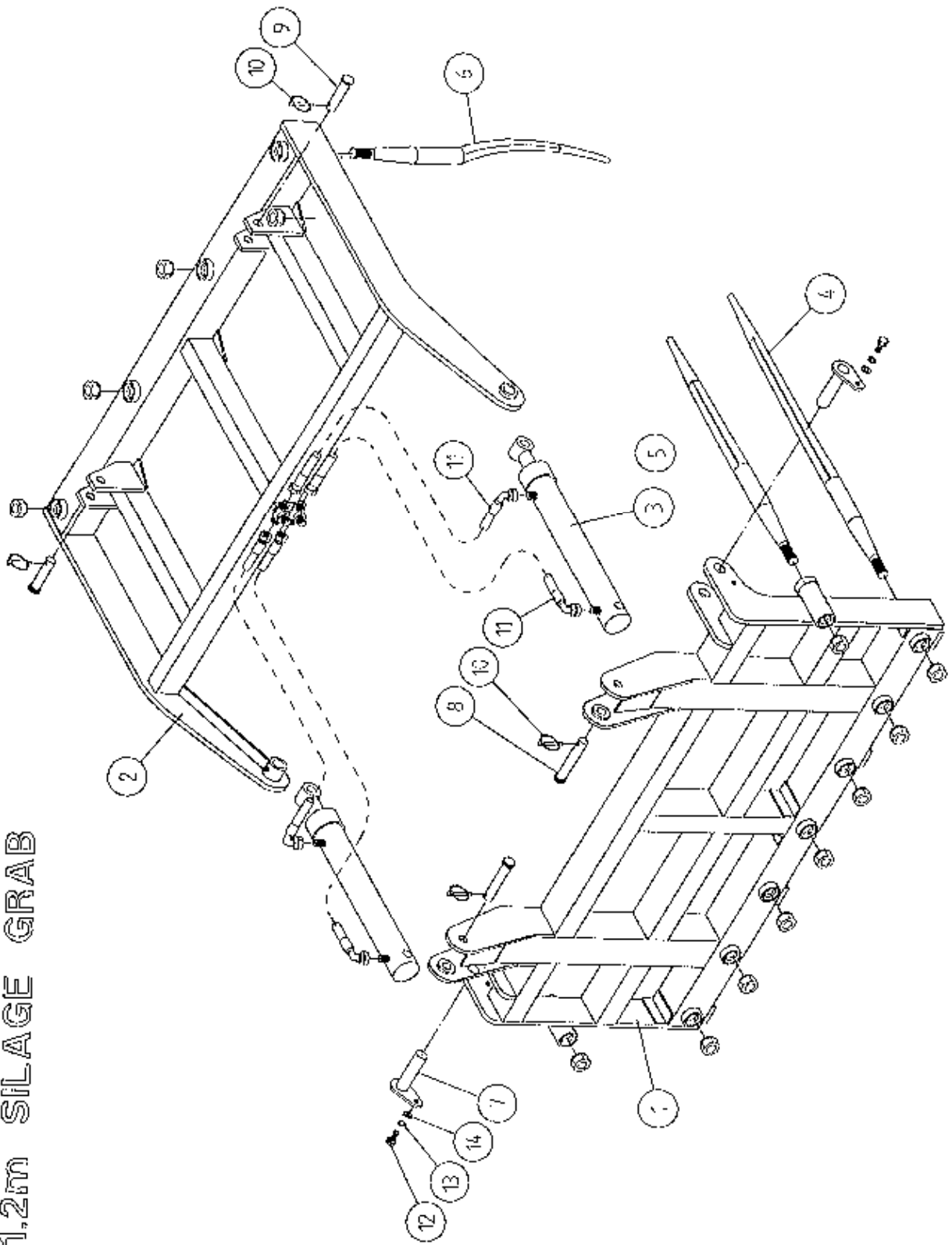
1.4m SILAGE GRAB



1.4m SILAGE GRAB PARTS LIST

ITEM NO:	DESCRIPTION:	QTY:	PART NO:
1	MAIN FRAME ASSEMBLY	1	W132-MF
2	GRAB FRAME ASSEMBLY	1	W132-GA
3	GRAB RAMS	2	Z01-01-DA688
4	KVERNELAND BOTTOM TINE C/W NUT x 32" LONG	8	Z001-06K
5	KVERNELAND SIDE TINE C/W NUT x 26" LONG	2	Z001-04K
6	KVERNELAND CURVED GRAB TINE C/W NUT x 26" LONG	5	Z001-181K
7	GRAB PIVOT PIN	2	Z03-01-797
8	RAM LONG PIVOT PIN	2	Z03-04-74
9	RAM SHORT PIVOT PIN	2	Z03-04-73
10	7/16" DIA LINCH PIN	4	Z03-22-06
11	24" ST/90 3/8" D/W HOSE	4	Z38-R2-24-S9
12	M10 x 20mm SET	2	Z26S-060
13	10mm DIA SPRING WASHER	2	Z12-02-10
14	10mm DIA FLAT WASHER	2	Z10-02-10

1.2m SILAGE GRAB



1.2m SILAGE GRAB PARTS LIST

ITEM NO:	DESCRIPTION:	QTY:	PART NO:
1	MAIN FRAME ASSEMBLY	1	Wi31-MF
2	GRAB FRAME ASSEMBLY	1	Wi31-GA
3	GRAB RAMS	2	Z01-01-DA688
4	KVERNELAND BOTTOM TINE C/W NUT x 32" LONG	7	Z001-06K
5	KVERNELAND SIDE TINE C/W NUT x 26" LONG	2	Z001-04K
6	KVERNELAND CURVED GRAB TINE C/W NUT x 28" LONG	4	Z001-181K
7	GRAB PIVOT PIN	2	Z03-01-797
8	RAM LONG PIVOT PIN	2	Z03-04-74
9	RAM SHORT PIVOT PIN	2	Z03-04-73
10	7/16" DIA LINCH PIN	4	Z03-22-06
11	24" ST/90 3/8" D/W HOSE	4	Z38-R2-24-S9
12	M10 x 20mm SET	2	Z26S-060
13	10mm DIA SPRING WASHER	2	Z12-02-10
14	10mm DIA FLAT WASHER	2	Z10-02-10

NO. 1 SPOOL VALVE KIT

QTY.	DESCRIPTION	PART NO.
1	D.A. SLICE FOR SPOOL VALVE C/W SERVICE LINE RELIEF	Z01-03-14
3	TIE BOLTS '103'	Z01-03-43
2	1/2" x 3/8" M/M ADAPTORS	Z01-06-06-08
2	1/2" DOWTY WASHER	Z01-04-03
4	1/2" QUICK RELEASE COULING COMP.	Z01-15-06
4	3/8" x 3/8" M/M ADAPTORS	Z01-06-06-06
4	3/8" M/M BULKHEAD ADAPTORS	Z01-06-05-06
8	3/8" DOWTY WASHER	Z01-04-02
2	72" St/90° 1/2" D/W HOSE	Z38-R2-72-S9
2	36" St/90° 1/2" D/W HOSE	Z38-R2-36-S9
2	24" St/90° 1/2" D/W HOSE	Z38-R2-24-S9
2	96" St/90° 1/2" D/W HOSE	Z38-R2-96-S9
2	12mm STEEL PIPE x 70" LONG C/W FITTINGS	Z01-02-01
3	TWIN CLAMPS COMPLETE TRANSFERS FITTING INSTRUCTIONS COPY OF KITTING LIST	

THIS PACKING MUST BE RETURNED WITH ANY CLAIM FOR SHORTAGES

EC DECLARATION OF CONFORMITY

ACCORDING TO DIRECTIVES 89/392/336/EEC AS AMENDED.

Manufacturer:

TANCO ENGINEERING CO LTD
BAGENALSTOWN
CO CARLOW
IRELAND

CERTIFIES THAT THE FOLLOWING PRODUCT:

SILAGE GRAB

MODEL: 1.2mM AND 1.4m

SERIAL NO.: 16500 -- 40000

To which this declaration relates, corresponds to the essential requirements of the Directive 89/392/336/EEC as amended.

To conform to these essential health and safety requirements, the provisions of the following harmonised standards were particularly considered:

EN 292 - 1,2, EN 294, EN 1152, prEN 703, prEN 811, prEN 1553, prEN 982.

DATE: 21/08/00

SIGNATURE:



TOMMY AGARS
TECHNICAL MANAGER